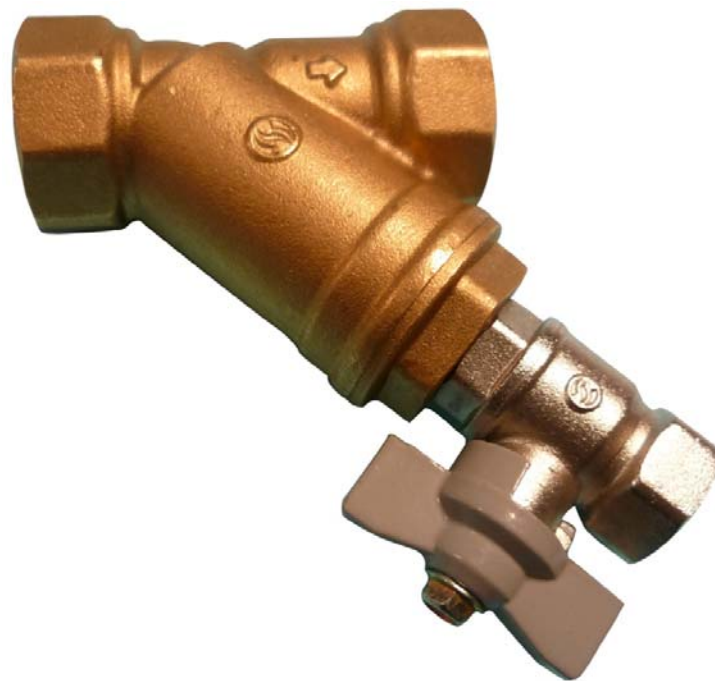


BRASS Y STRAINER WITH DRAINING VALVE



ISO 9001 : 2015



Size : DN 1/2" to 2"
Ends : Female BSP
Min Temperature : + 0°C
Max Temperature : + 120°C
Max Pressure : 16 Bars
Specifications : Stainless steel removable filter
Female / Female
With draining valve

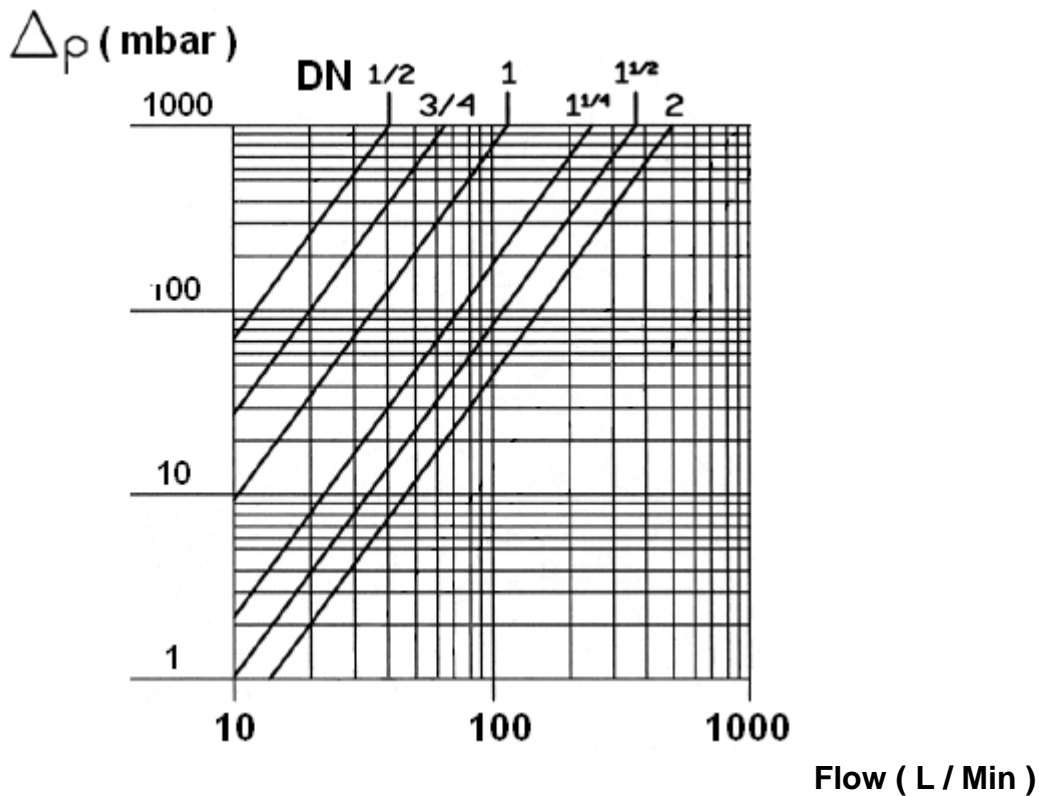
Materials : Brass body CW617N

BRASS Y STRAINER WITH DRAINING VALVE
SPECIFICATIONS :

- Stainless steel removable filter
- Female / female threaded BSP
- With draining valve
- Horizontal or vertical position (respect the flow direction indicated by the arrow)
- Mesh 8,5/10° mm (850 μ)

USE :

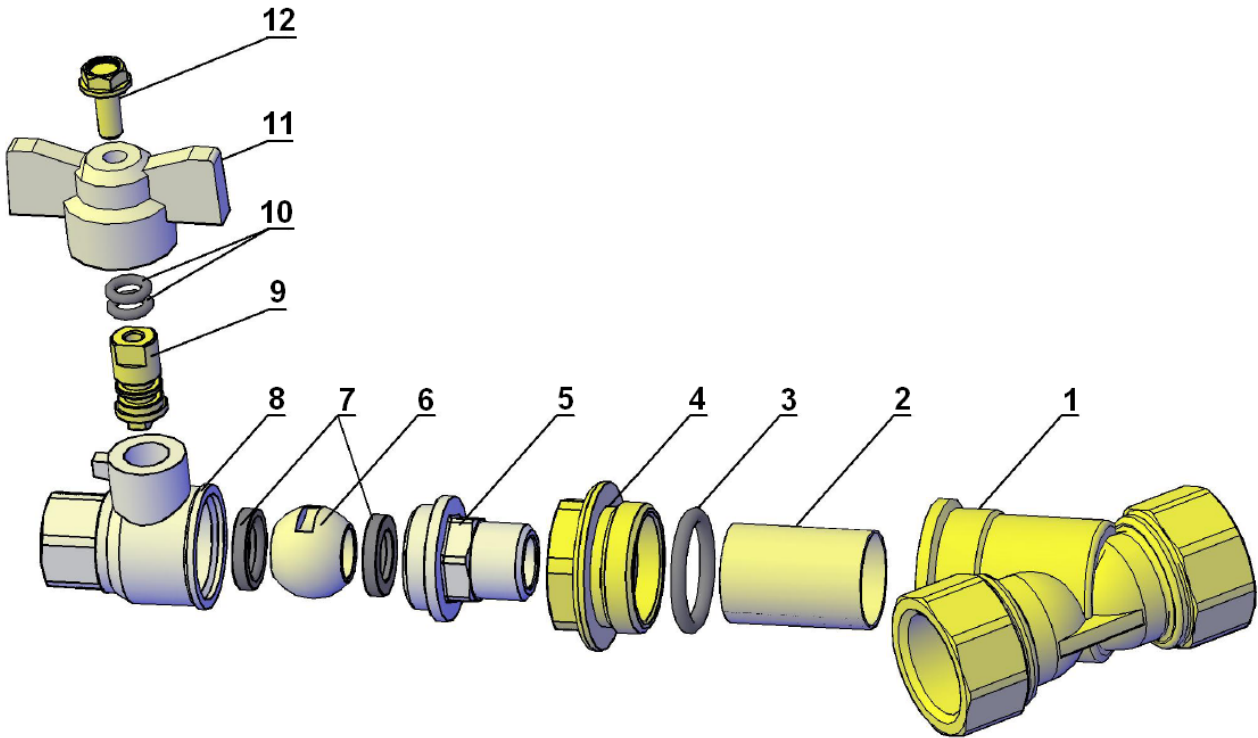
- Water distribution and watering
- Min Temperature Ts : + 0°C
- Max Temperature Ts :+ 120°C
- Max Pressure Ps : 16 bars

HEAD LOSS GRAPH :

FLOW COEFFICIENT Kvs (M3 / h) :

DN	1/2"	3/4"	1"	1"1/4	1"1/2	2"
Kvs (m3/h)	4.4	10.22	12.52	14.44	28.14	26.54

BRASS Y STRAINER WITH DRAINING VALVE
RANGE :

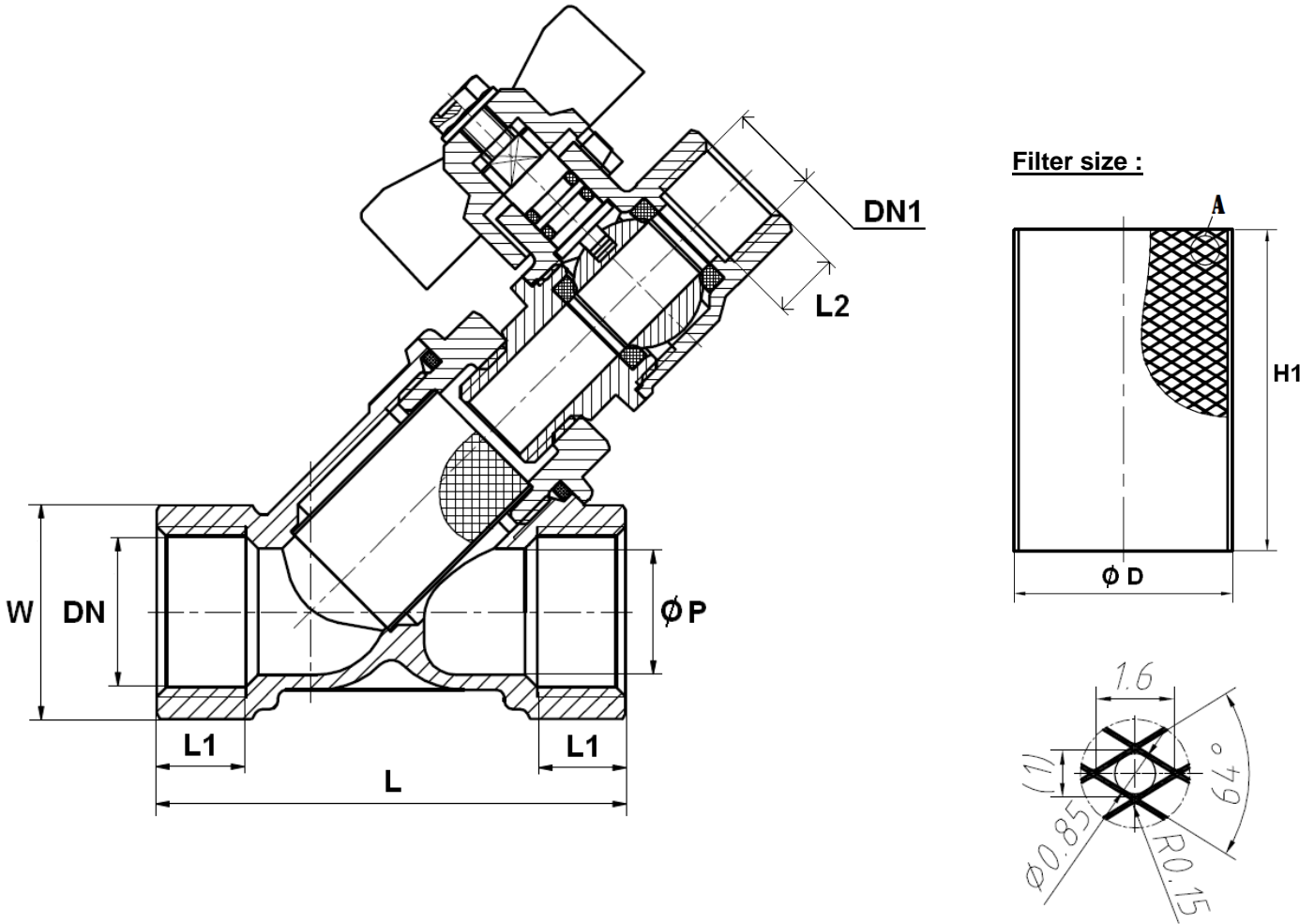
- Female cylindrical BSP ends from DN 1/2" to DN 2"

MATERIALS :


Item	Designation	Materials
1	Body	Brass CW 617 N according to EN 12165
2	Filter	AISI 304
3	O ring	EPDM
4	Bonnet	Brass CW 617 N according to EN 12165
5	Bonnet	Brass CW 617 N according to EN 12165
6	Ball	Brass CW 617 N according to EN 12165 chromed
7	Seat	PTFE
8	Body	Brass CW 617 N according to EN 12165
9	Stem	Brass CW 617 N according to EN 12165
10	O ring	NBR
11	Handle	Aluminium
12	Handle screw	Steel

BRASS Y STRAINER WITH DRAINING VALVE

SIZE (in mm) :



Ref.	DN	1/2"	3/4"	1"	1"1/4	1"1/2	2"
211	Ø P	15.6	20	26	32	42	52
	L	58	68	75	90	108	130
	L1	11	12	14	16.5	18	20
	L2	9	9	9	9	9	9
	DN1	1/4"	3/8"	3/8"	3/8"	3/8"	3/8"
	W (on flat)	25	31	38	47	54	67
	Ø D	18.5	23.5	27.5	33.5	42.5	52.5
	H1	25	40	40.5	46	54	63
	Weight (Kg)	0.240	0.320	0.440	0.545	0.895	1.400

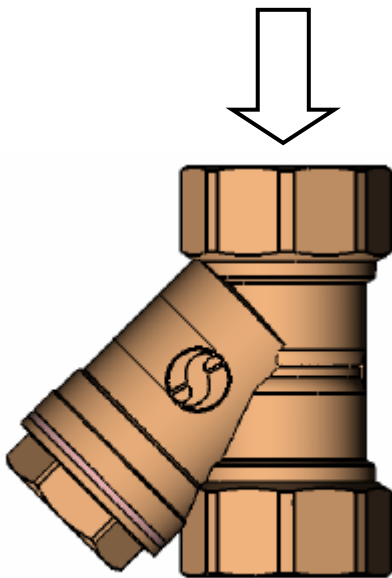
BRASS Y STRAINER WITH DRAINING VALVE

STANDARDS :

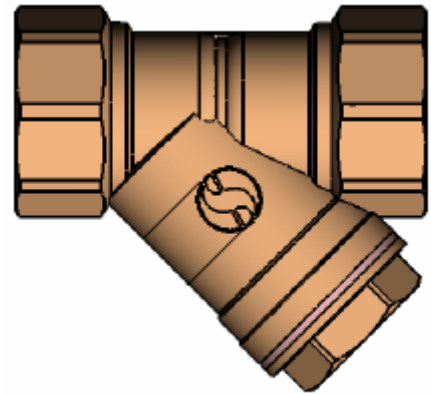
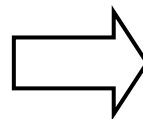
- Fabrication according to ISO 9001 : 2015
- DIRECTIVE 2014/68/EU : Products excluded from directive (Article 1, § 2.b)
- Threaded female BSP cylindrical according to ISO 228-1
- French water agreement **A.C.S. N° 12 ACC LY 213**

INSTALLATION POSITIONS :

Vertical position (descendand fluid)



Horizontal position



ADVICE : Our opinion and our advice are not guaranteed and SFERACO shall not be liable for the consequences of damages.
The customer must check the right choice of the products with the real service conditions.

BRASS Y STRAINER WITH DRAINING VALVE

INSTALLATION INSTRUCTIONS

GENERAL GUIDELINES :

- Ensure that the strainers to be used are appropriate for the conditions of the installation (type of fluid, pressure and temperature).
- Be sure to have enough valves to be able to isolate the sections of piping as well as the appropriate equipment for maintenance and repair.
- Ensure that the strainers to be installed are of correct strength to be able to support the capacity of their usage.
- **Installation of all circuits should ensure that their function can be automatically tested on a regular basis (at least two times a year).**

INSTALLATION INSTRUCTIONS :

- **Before installing the strainers, clean and remove any objects from the pipes** (in particular bits of sealing and metal) which could obstruct and block the strainers.
- **Ensure that both connecting pipes either side of the strainer (upstream and downstream) are aligned (if they're not, the strainer may not work correctly).**
- **Make sure that the two sections of the pipe (upstream and downstream) match, the strainer unit will not absorb any gaps. Any distortions in the pipes may affect the tightness of the connection, the working of the strainer and can even cause a rupture.** To be sure, place the kit in position to ensure the assembling will work.
- The theoretical lengths given by ISO/R7 for the tapping are typically longer than required, the length of the thread should be limited, and **check that the end of the tube does not press right up to the head of the thread.**
- **Never use a vice to tighten the fixings of the strainer.**
- **If sections of piping do not have their final support in place, they should be temporarily fixed. This is to avoid unnecessary strain on the strainer.**
- **Fluids in the strainer must not contain solid objects (it could damaged the seat).**