

**PLAIN BRASS GARDEN TAP PN10**



ISO 9001 : 2015



**Size :** DN 1/2" to 1"  
**Ends :** Male with hose coupler  
**Min Temperature :** + 0°C  
**Max Temperature :** + 60°C  
**Max Pressure :** 10 Bars  
**Specifications :** With hose coupler  
Butterfly brass handle

**Materials :** Brass CW617N

## PLAIN BRASS GARDEN TAP PN10

### SPECIFICATIONS :

- With hose coupling
- Plain brass garden tap
- With packing
- Butterfly brass handle
- Body marking : SF/B

### USE :

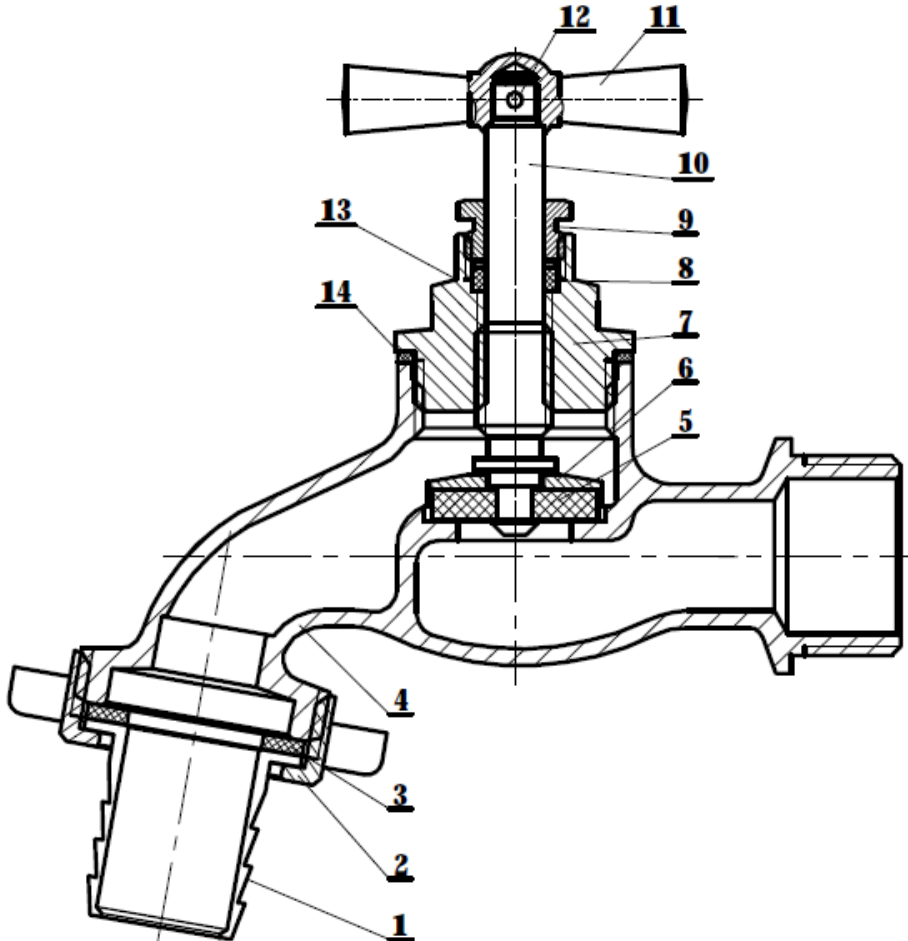
- Water distribution
- Min Temperature Ts : + 0°C
- Max Temperature Ts :+ 60°C
- Max Pressure Ps : 10 Bars

### RANGE :

- Male BSP cylindrical with hose coupling and butterfly brass handle **Ref. 1345** from DN 1/2" to 1"
- Handling device DN 1/2" ( for garden tap DN 1/2"-3/4" and DN 3/4"-3/4" ) **Ref. 9800037**
- Handling device DN 3/4" ( for garden tap DN 3/4"-1" ) **Ref. 9800038**

**PLAIN BRASS GARDEN TAP PN10**

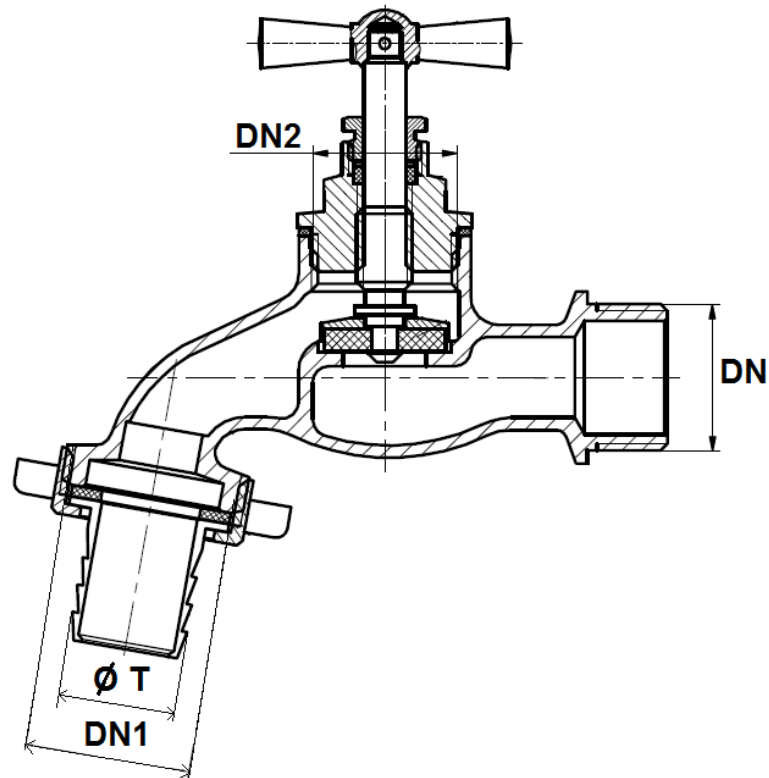
**MATERIALS :**



Item	Designation	Materials
1	Hose coupling	Brass
2	Nut	Brass
3	Gasket	NBR
4	Body	Brass CW617N according to EN12165
5	Gasket	NBR
6	Ring	Brass
7	Bonnet	Brass
8	Ring	Brass
9	Gland	Brass
10	Stem	Brass CW617N according to EN12165
11	Handle	Brass
12	Pin	Brass
13	Gasket	NBR
14	Gasket	Cardboard

**PLAIN BRASS GARDEN TAP PN10**

**SIZE ( in mm ) :**



Ref.	DN	1/2"	3/4"	3/4"
1345	DN1	3/4"	3/4"	1"
	DN2	1/2"	1/2"	3/4"
	Ø T	17	17	21
	Weight ( Kg )	0.230	0.236	0.354

**STANDARDS :**

- Fabrication according to ISO 9001 : 2015
- DIRECTIVE 2014/68/EU : Products excluded from directive ( Article 1, § 2b )
- Male BSP conical threaded end according to ISO 228-1

**ADVICE :** Our opinion and our advice are not guaranteed and SFERACO shall not be liable for the consequences of damages. The customer must check the right choice of the products with the real service conditions.

## **PLAIN BRASS GARDEN TAP PN10**

### **INSTALLATION INSTRUCTIONS**

#### **GENERAL GUIDELINES :**

- Ensure that the valves to be used are appropriate for the conditions of the installation (type of fluid, pressure and temperature).
- Be sure to have enough valves to be able to isolate the sections of piping as well as the appropriate equipment for maintenance and repair.
- Ensure that the valves to be installed are of correct strength to be able to support the capacity of their usage.
- **Installation of all circuits should ensure that their function can be automatically tested on a regular basis (at least two times a year).**

#### **INSTALLATION INSTRUCTIONS :**

- **Before installing the valves, clean and remove any objects from the pipes** (in particular bits of sealing and metal) which could obstruct and block the valves.
- **Ensure that both connecting pipes either side of the valve (upstream and downstream) are aligned (if they're not, the valves may not work correctly).**
- **Make sure that the two sections of the pipe (upstream and downstream) match, the valve unit will not absorb any gaps. Any distortions in the pipes may affect the tightness of the connection, the working of the valve and can even cause a rupture.** To be sure, place the kit in position to ensure the assembling will work.
- Before starting the fitting, ensure that the threads and tapping are clean.
- **If sections of piping do not have their final support in place, they should be temporarily fixed. This is to avoid unnecessary strain on the valve.**
- The theoretical lengths given by ISO/R7 for the tapping are typically longer than required, the length of the thread should be limited, and **check that the end of the tube does not press right up to the head of the thread.**
- For the sealing assembly valve piping, it is essential to use products that are compatible with the requirements of the French water agreement ACS : **plumbers hemp proscribed.**
- Position the pipe clips on both sides of the valve.
- If mounting on an air conditioning with PER tubing and hoses, it is necessary to support the tubes and hoses with the fixing to avoid strain on the valve.
- When screwing the valve, ensure that you only rotate on screwed side by the 6 ended side. Use an open ended spanner or an adjustable spanner and not a monkey wrench.
- **Never use a vice to tighten the fixings of the valve.**
- Do not over tighten the valve. Do not block with any extensions as it may cause a rupture or weakening of the casing.
- **In general, for all valves used in buildings and heating, do not tighten above a torque of 30 Nm.**

The advice and assembly instructions above do not conform to any guarantee.  
The information is given in general. It states what must not and must be done.  
It is provided to ensure the safety of the personnel and the reliability of the valves.  
The instructions in bold must be followed.

Sferaco 90 rue du Ruisseau 38297 St Quentin Fallavier Tel: + 33 (0) 474.94.15.90 Fax: + 33 (0) 474.95.62.08 Internet: [www.sferaco.fr](http://www.sferaco.fr) E-mail : [sferaco@sferaco.fr](mailto:sferaco@sferaco.fr)