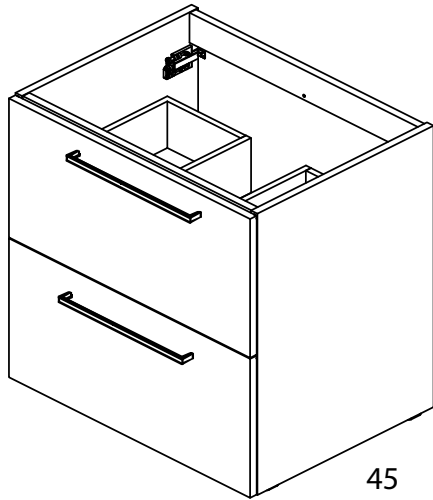


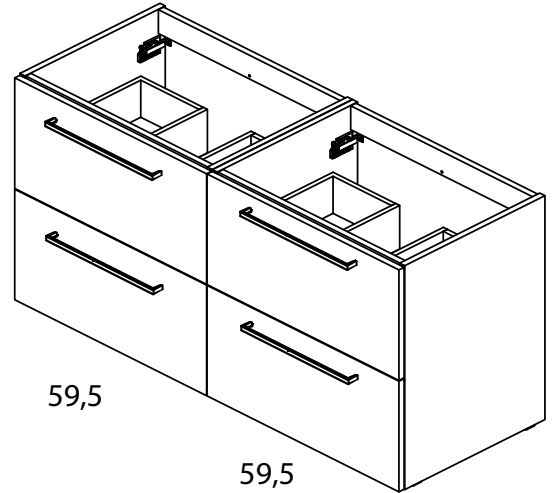
EASY2-SAPHIR



56,5

45

59,5/69,5/79,5/99,5



56,5

59,5

59,5

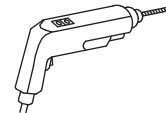
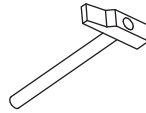
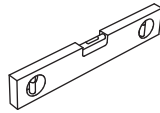
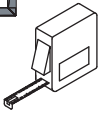
45



1-00'-00"



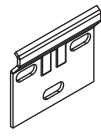
01.



Ø8x



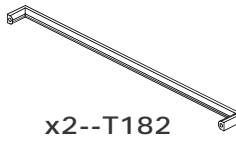
T1x



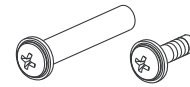
x2



x4



x2--T182



x2

02.



x4

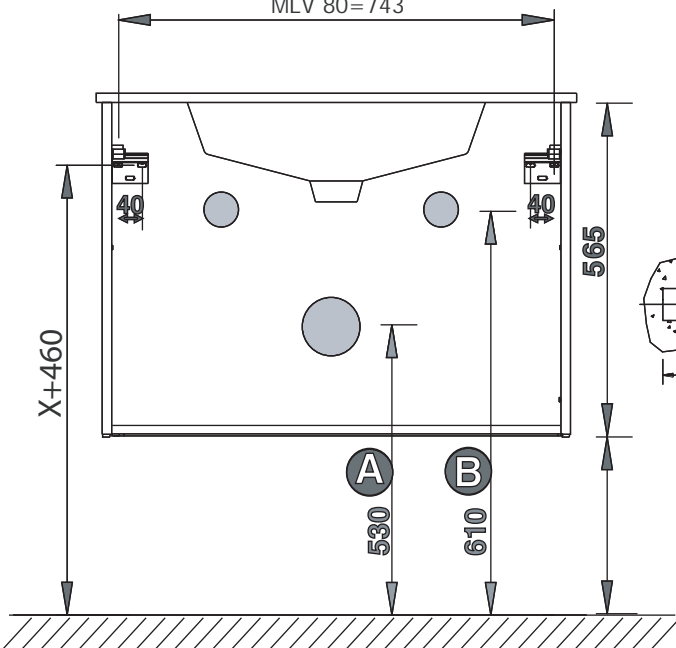


T1x4



x2

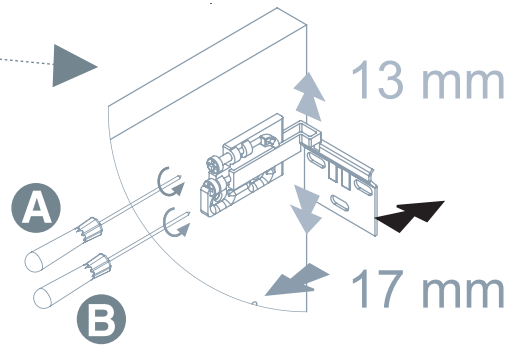
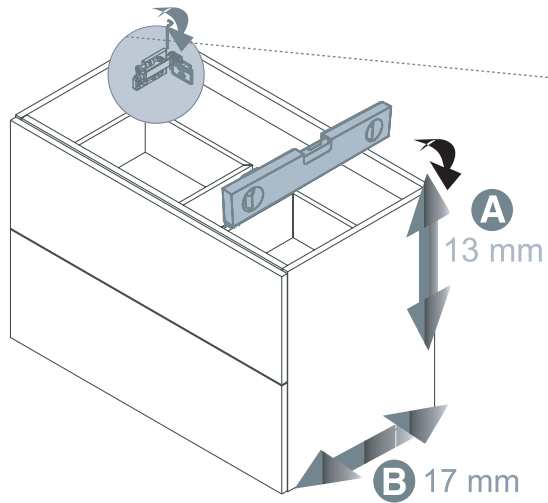
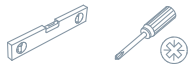
MLV 60=543
MLV 80=743



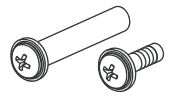
A Desagüe
Vidage
Waste pipe
Abwasserleitung
Scarico
Deságue

B Conexión agua
Connection d'eau
Water connection
Wasseranschlüsse
Cariclo dell'acqua
Conexão agua

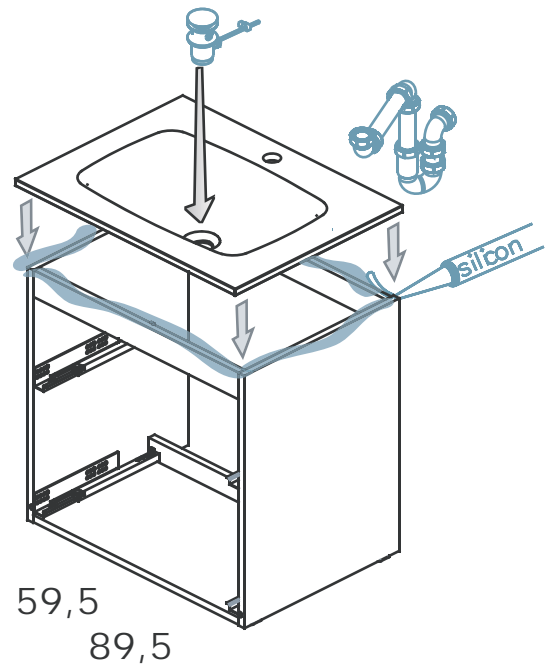
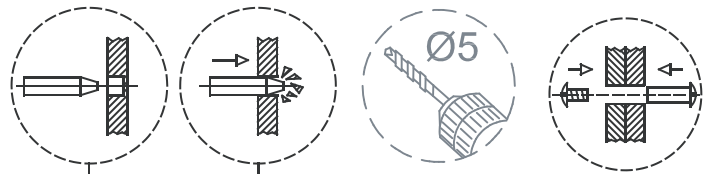
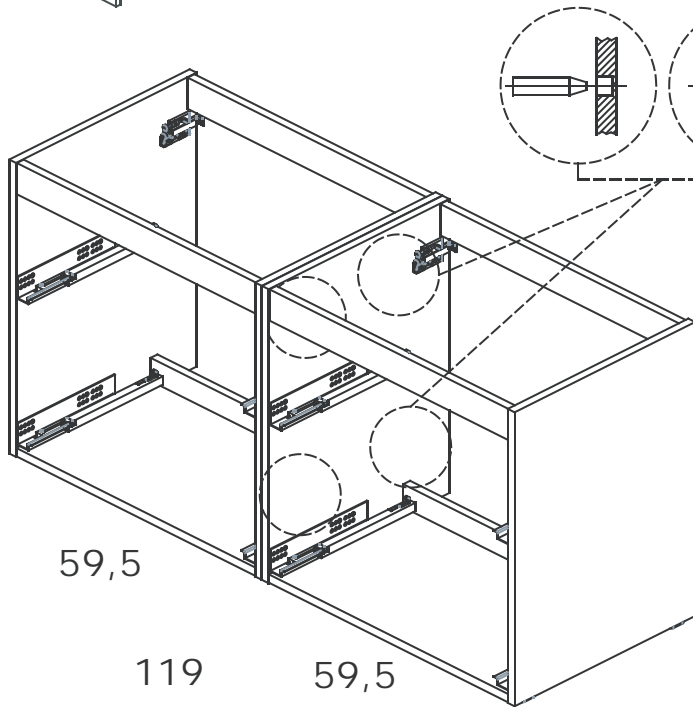
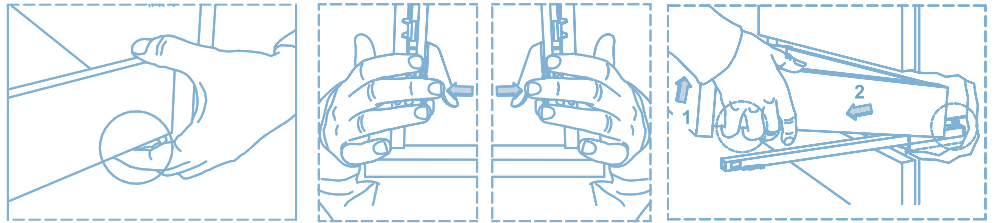
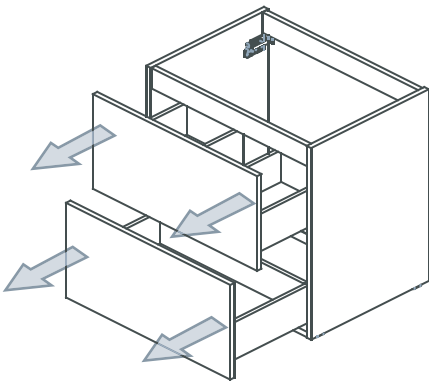
03.



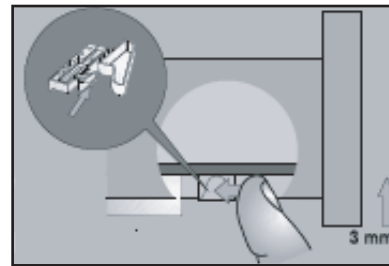
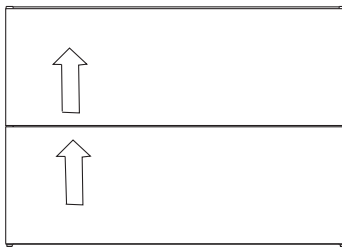
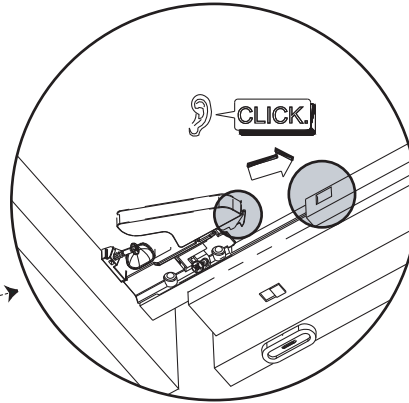
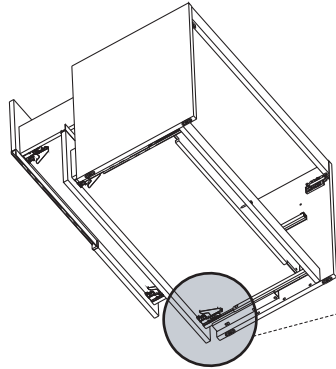
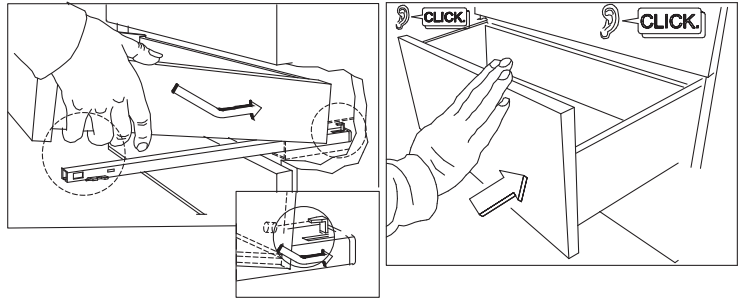
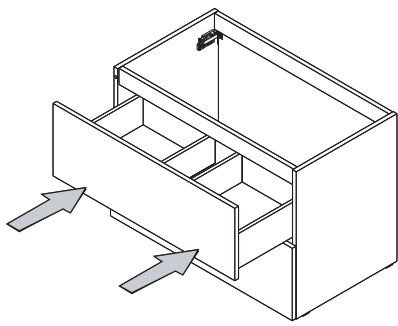
04.



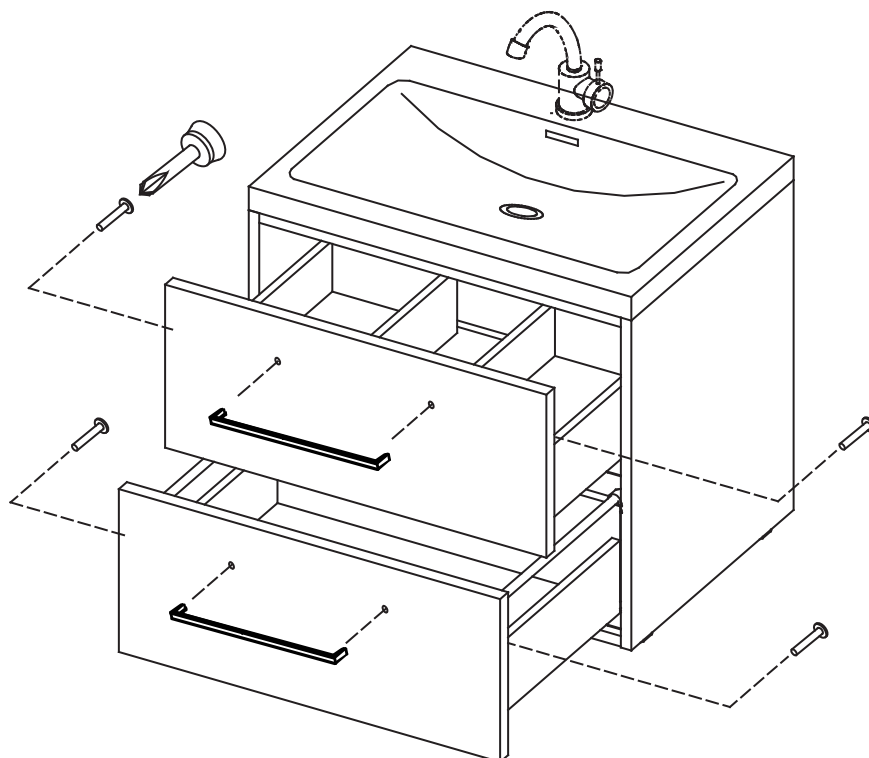
X2



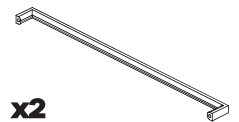
05.



06.



x4



x2